

Digital & Analog Audio Extender

Product Picture



Product Features

- Extend a digital optical or analog audio connection up to 990 feet via Ethernet.
- Built-in digital-to-analog converter (DAC) converts digital Toslink audio into an analog audio signal for direct connection to speakers or older equipment.
- PoC support powers both the transmitter and receiver with one power adapter.
- The audio extender supports stereo audio and popular digital audio formats, including Dolby Digital and 5.1 surround sound.
- This audio extender is ideal for connecting a television or media player to an A/V receiver, amplifier, or directly to speakers.

Package Contents

- 1x Audio extender transmitter
- 1x Audio extender receiver
- 1x USB power adapter
- 1x USB-A to micro USB cable
- 1x User manual

Installation Instructions

To install the audio extender:

- 1) Power off all devices.
- 2) Connect the transmitter to the source device with a Toslink cable or an analog audio RCA cable.
- 3) Connect the transmitter to the receiver with an Ethernet cable.
- 4) Connect the receiver to the audio output device with a Toslink cable or an analog audio RCA cable.
- 5) If you connected the receiver to an audio output device with an analog audio RCA cable, select the correct L/R OUT setting on the receiver using the selector switch. Refer to the chart below for the correct switch setting.

Transmitter connection	Receiver switch setting
Toslink cable	TX SPDIF
Analog audio RCA cable	TX L/R

- 6) Connect the transmitter or receiver to a USB charger with a micro USB cable, then power on all devices.
- 7) Configure the audio sample rate on the source device to match the supported Ethernet cable distance. Refer to the chart below for the correct audio sample rate setting.

Maximum Ethernet cable length	Audio sample rate
330 feet	192 kHz
495 feet	96 kHz
990 feet	48 kHz

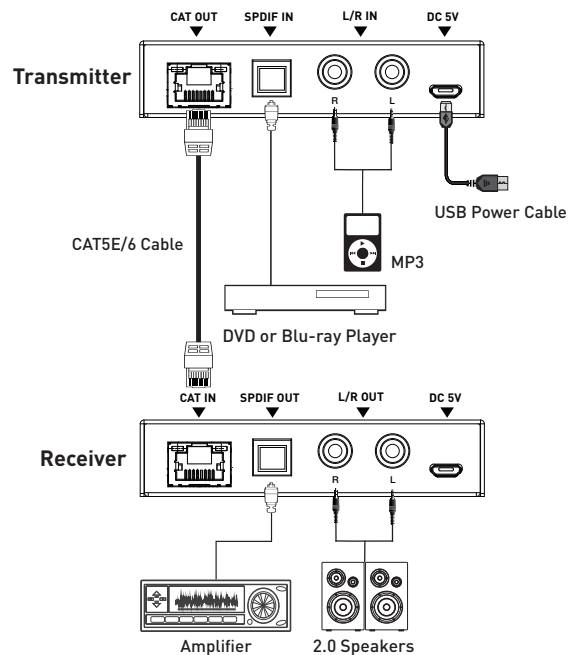
Troubleshooting Tips

- If audio playback is noisy or stutters, you must set the source device's audio sample rate to the correct setting. This setting is based on the length of the connected Ethernet cable. Refer to the chart in installation step 7 for the correct sample rate setting.
- If you hear no audio on an audio output device connected to the receiver via an analog audio RCA cable, make sure the L/R OUT selector switch on the receiver is set correctly. Refer to the chart in installation step 5 for the correct receiver switch setting.
- If you hear no audio when connecting the transmitter via a Toslink cable, make sure digital optical audio output is enabled on your source device.
- Use at least a Cat5E cable to connect the transmitter to the receiver.

Technical Specifications

- Transmitter ports: 1x SPDIF IN, 1x L/R IN, 1x CAT OUT (RJ-45), 1x DC 5V (Micro USB)
- Receiver ports: 1x SPDIF OUT, 1x L/R OUT, 1x CAT IN (RJ-45), 1x DC 5V (Micro USB)
- LED: Power LED (transmitter and receiver)
- Supported audio formats:
 - Optical: LPCM2.0, LPCM5.1, Dolby Digital 2/5.1 Channel, DTS
 - Analog: PCM 2.0
- Supported sample rates: 32 kHz, 44.1 kHz, 48 kHz, 96 kHz, 176.4 kHz, and 192 kHz up to 24-bit resolution
- Maximum Ethernet cable distance: 330 ft (192 kHz), 495 feet (96 kHz), 990 feet (48 kHz)
- Product dimensions: 90mm x 72mm x 20mm, 174g
- Power input: DC 5V/1A, 1.5W

Connection Diagram



Copyright and Trademarks

Specifications are subject to change without notice. Cable Matters is a registered trademark or trademark of Cable Matters Inc. All rights reserved. All other trademarks are the property of their respective owners.

Limitation of Liability

In no event shall Cable Matters Inc. (including their officers, directors, employees or agents) be liable for any damages (whether direct or indirect, special, punitive, incidental, consequential, or otherwise), loss of profits, loss of business, or any pecuniary loss, arising out of, or related to the use of this product exceeding the actual price paid for the product (as allowed by state law).

Warranty Information

This product is backed by a limited one-year warranty. The warranty covers parts and labor costs only. Cable Matters does not warrant its products from defects or damages arising from misuse, abuse, or normal wear.

Customer Support and Contact Information

Cable Matters offers lifetime technical support as an integral part of our commitment to provide industry leading solutions.

Email us with any questions at support@cablematters.com.